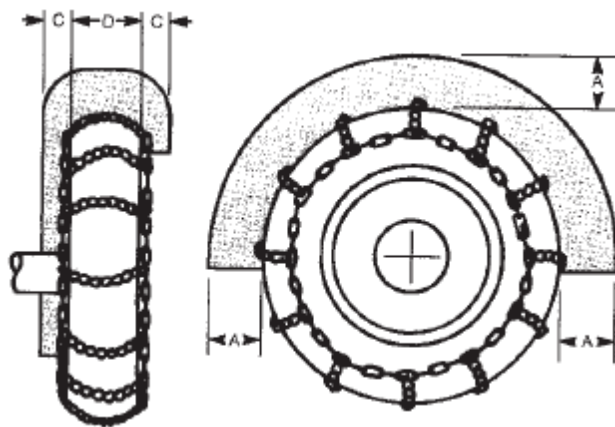




## Definitions of SAE Classifications

1. SAE Class "S" – Regular (non-reinforced) passenger tire chains and cables for vehicles with restricted wheel well clearance
2. SAE Class "U" – Regular (non-reinforced) and lug reinforced passenger tire chains for vehicles with regular (non-restricted) wheel well clearances
3. SAE Class "W" – Those passenger tire chains that use light truck components as well as some light truck chains.

## Minimum Clearances Required for Tire Chains



Tire Chain Identification	Minimum Dimensions	Minimum Dimensions
	A	C
SAE Class "S"	1.46" (37mm)	0.59" (15mm)
SAE Class "U"	1.97" (50mm)	0.91" (23mm)
SAE Class "W"	2.50" (63.5mm)	1.50" (38.1mm)

NOTE: For design purposes "D" is the maximum grown tire section width as established by the Tire and Rim Association (TRA). The Minimum clearances specified must be maintained around spring clips, spring bolts, fenders, braces, splash pans, fuel lines, brake lines, brake controls and wherever necessary.

Tire size must be known in order to select a tire chains of correct fit. For passenger cars, vans, and small pickup trucks it is important to check the owner's manual. The restricted wheel well clearances in most of today's down sized and front drive vehicles may require the use of SAE Class "s" tire chains as noted in the manuals.



## Important!

### Rules for Using Tire Chains

For your convenience and safety please review the following rules while using any tire chain product:

1. Do not deflate tires to install chains.
2. If a cross chain should fail, stop immediately and repair or remove the tire chains. Continued travel with a broken tire chain can cause damage to your vehicle.
3. Remove tire chains when driving on bare roads.
4. Avoid hitting curbs with tire chains.
5. Make certain your tire chains are properly sized for your tires.
6. A proper fit is the key to performance.
7. Tire chains are not designed for towing vehicles.
8. Be sure to pull off highway to a safe place before installing, servicing or removing tire chains.
9. Follow directions for installing tire chains. Apply as tightly as possible by hand for maximum chain life.
10. Do not exceed 30 MPH. Accelerate and edecelerate slowly. Avoid spinning or locking wheels.
11. Drive approximately  $\frac{1}{4}$  mile, stop and re-tighten. Extra links may be cut off or preferably retained on the fastener arm. Keep chains tight throughout operation. Only after re-tightening may rubber adjusters be applied.

